






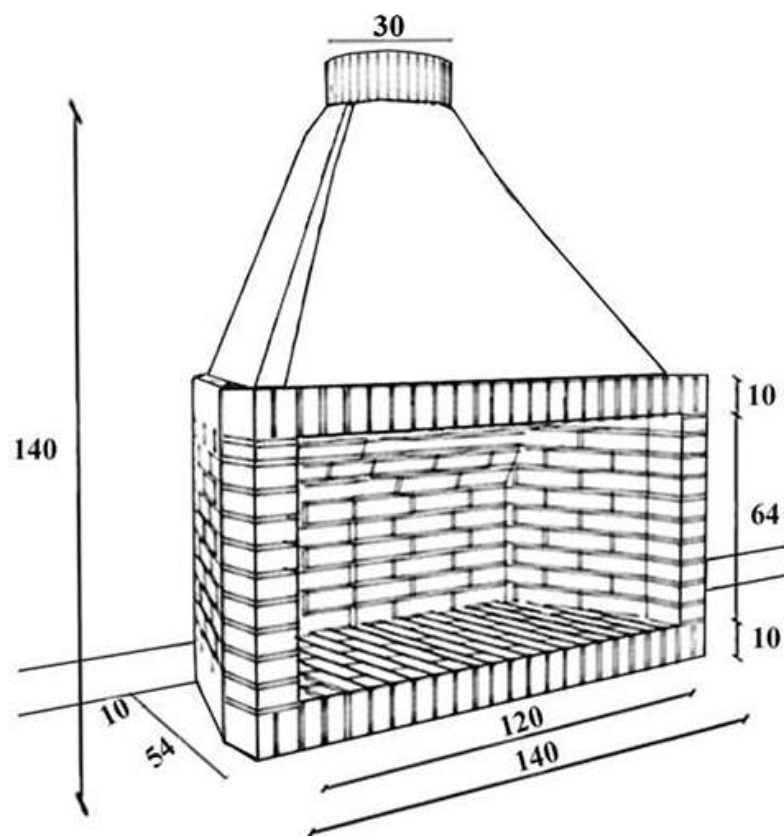
→ Description

➤ Color:

- Red 
- Black 
- Rustic 

➤ Weight : **850Kg**

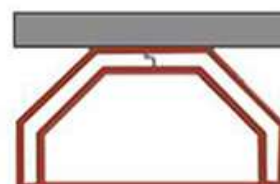
→ Dimensions



CERTIFIED M.S.
EN ISO 9001:2015
102LBQ5

➤ Installation:

- Type 1:



- Type 2:

