

STEEL

# Atlantic 604



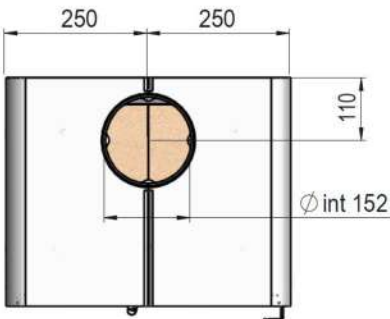
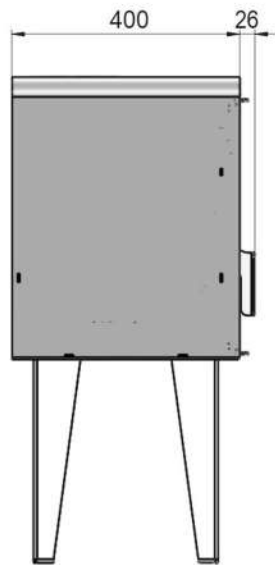
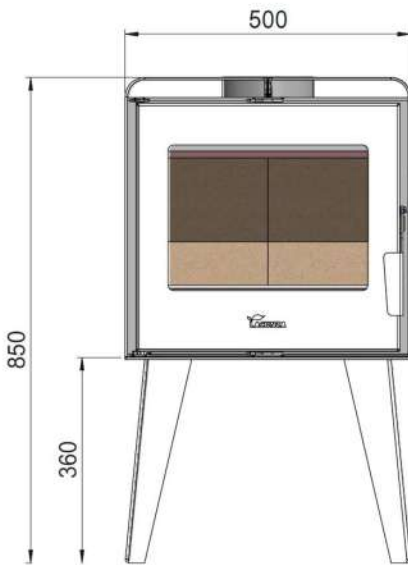
# LACUNZA

Natural comfort



### ecoDESIGN Ready!

Efficiency	CO Emissions	NOx Emissions	OGC Emissions	Particles	Heat output range	Nominal HD	Flue socket	Weight	Firewood	Heating vol.	Heating area
85 %	0,04 %	111 mg	28 mg	12 mg	8,5-15,5 kW	12 kW	Ø 150 mm	90 kg	50 cm	267 m³	107 m²



External Firebox 600 x 850 x 400 mm  
530 x 220 x 280 mm  
Width x Height x Depth

- Steel wood stove.
- Printed glass.
- Firebox material: Vermiculite.
- Cast iron grate.
- Double Combustion system with independent control.
- Two controls for combustion.



## FLAMME ROUGE