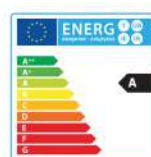
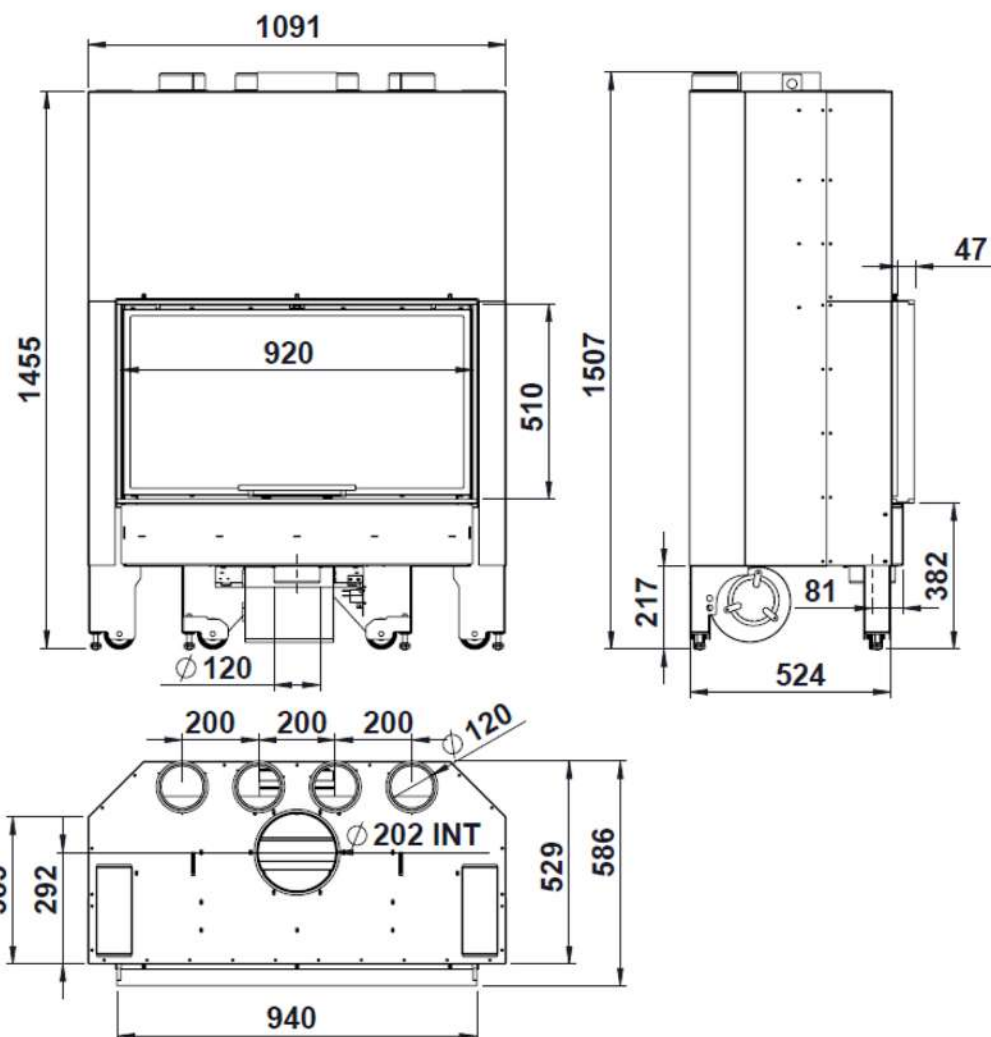


Itaca 100 ECO



ecoDESIGN Ready!

Efficiency	CO Emissions	NOx Emissions	OGC Emissions	Particles	Heat output range	Nominal HO	Flue socket	Weight	Firewood	Heating vol.	Heating area
78 %	0,08 %	121 mg	57 mg	23 mg	9-17 kW	13 kW	Ø 200 mm	300 kg	80 cm	289 m ³	116 m ²



- Steel fireplace with guillotine door.
- Firebox in vermiculite or thermotte.
- Firebox base of cast iron with ash pan.
- **Double Combustion system.**
- External air intake.
- Turbine version 800 m³/h (C/V).
- 4 top flue exits for hot air.
- ¡New! Potentiometer for more silence turbir
- Frame of 25 mm included.

OPTIONAL ACCESSORIES:



¡Nuevo! Sistema ELX Power: Potentiometer (5 vel. + On/Off) con mando a distancia



FLAMME ROUGE