

STEEL

Sagra CP



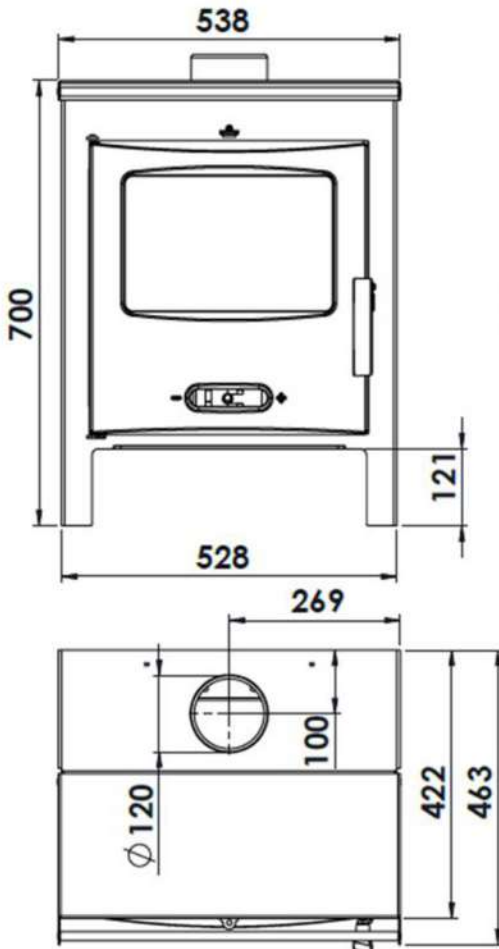
LACUNZA

Natural comfort



ecoDESIGN Ready!

Efficiency	CO Emissions	NOX Emissions	OGC Emissions	Particles	Heat output range	Nominal HD	Flue socket	Weight	Firewood	Heating vol.	Heating area
82,5 %	0,06 %	133 mg	48 mg	28 mg	6,5-11,5 kW	9 kW	Ø 120 mm	70 kg	50 cm	200 m ³	80 m ²



External 538 x 700 x 375 mm
 Firebox 520 x 250 x 365 mm
 Width x Height x Depth

- Steel stove with cast iron door.
- Firebox in vermiculite.
- Double Combustion system with independent control.
- Cast iron grate.
- Extra Clean Glass system.
- Top flue exit.
- Two controls for combustion.



FLAMME ROUGE