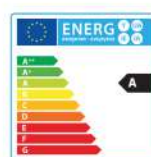


CAST IRON

Bidart


LACUNZA
Natural comfort



ecoDESIGN Ready!

Efficiency	CO Emissions	NOx Emissions	OGC Emissions	Particles
77 %	0,08 %	112 mg	66 mg	14 mg

Heat output range
6,5-11,5 kW

Nominal HD
9 kW

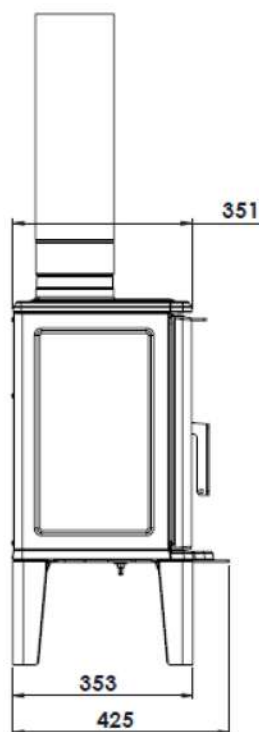
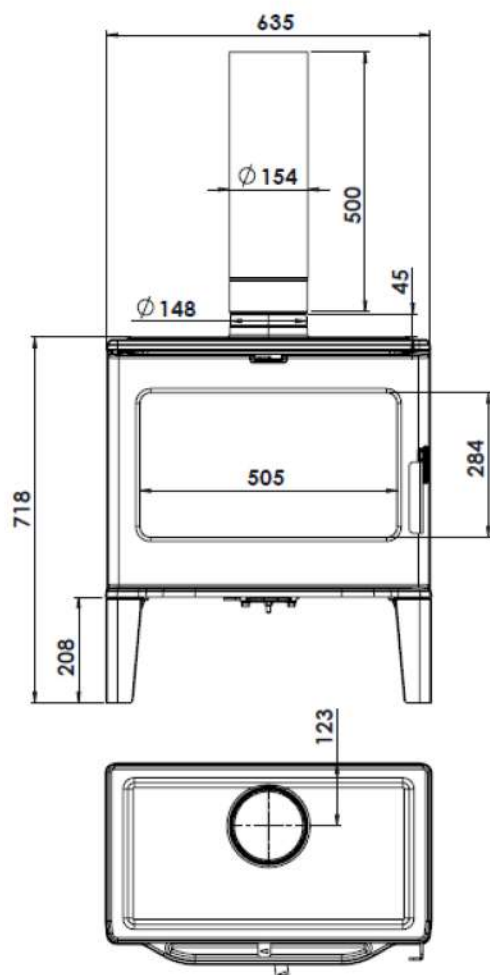
Flue socket
Ø 150 mm

Weight
120 kg

Firewood
50 cm

Heating vol.
200 m³

Heating area
80 m²



External 635 x 765 x 395 mm
Firebox 550 x 230 x 230 mm
Width x Height x Depth

- Cast iron wood stove.
- Firebox material: Vermiculite.
- Top flue exit.
- Double Combustion system.
- Two controls for combustion.
- Extra Clean Glass system.
- Option: cast iron firebox kit.



FLAMME ROUGE