

Léon



LACUNZA

Natural comfort



ecoDESIGN In process

Efficiency	CO Emissions	NOx Emissions	OGC Emissions	Particles
75 %	0,12 %	200 mg	120 mg	40 mg

Heat output range
14,5-26,5 kW

Nominal HO
20,5 kW

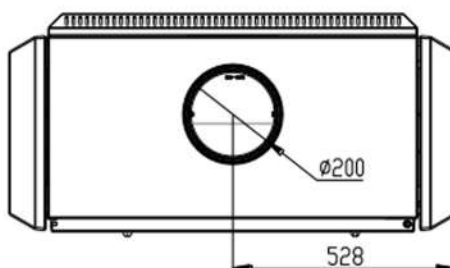
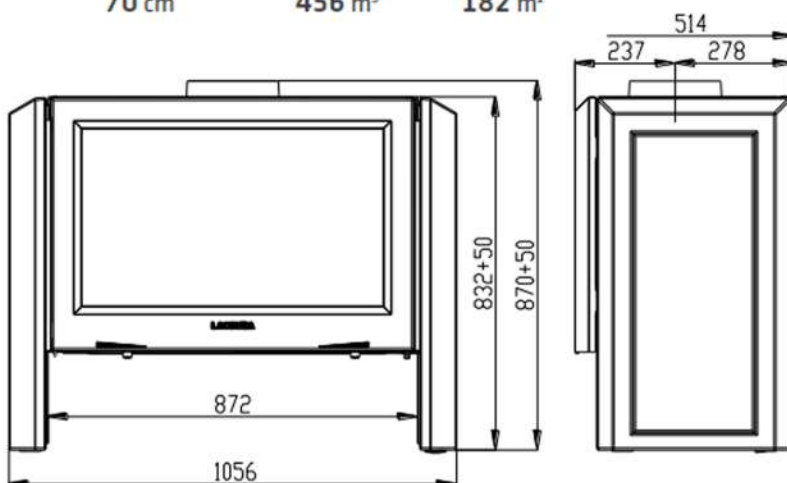
Flue socket
Ø 200 mm

Weight
260 kg

Firewood
70 cm

Heating vol.
456 m³

Heating area
182 m²



- Cast iron wood stove.
- Firebox in vermiculite.
- Double Combustion system.
- Height adjustable feet and wheels for installation.
- Top or rear flue exit.
- Two controls for combustion.
- Large ash pan.



FLAMME ROUGE