

CAST IRON  
**Stelar 93**

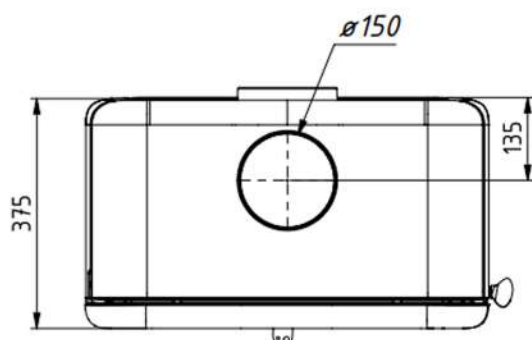
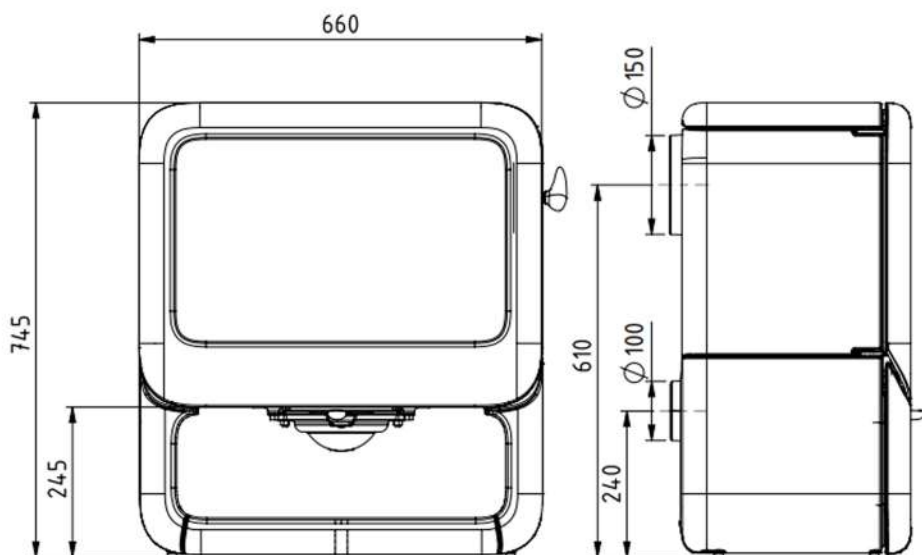
  
**LACUNZA**  
Natural comfort



**ecoDESIGN Ready!**

| Efficiency | CO Emissions | NOx Emissions | OGC Emissions | Particles |
|------------|--------------|---------------|---------------|-----------|
| 80 %       | 0,10 %       | 200 mg        | 120 mg        | 40 mg     |

|   |  |   |  |  |  |  |
|---|--|---|--|--|--|--|
|  Heat output range |  Nominal HO |  Flue socket |  Weight |  Firewood |  Heating vol. |  Heating area |
| 6,5-12 kW   | 9 kW   | Ø 150 mm  | 145 kg   | 70 cm  | 456 m <sup>3</sup>   | 182 m <sup>2</sup>   |



|  |  |
|--|--|
|  External Firebox | <b>660 x 745 x 375 mm</b><br><b>570 x 260 x 280 mm</b> |
|  | Width x Height x Depth                                 |

- Top or rear flue exit.
- Firebox in vermiculite.
- Natural convection.
- Combustion control single comand.
- Printed glass.
- Secondary air control.
- *Option*: cast iron kit
- External air intake (Ø 120 mm).



**FLAMME ROUGE**