

STEEL

India



LACUNZA

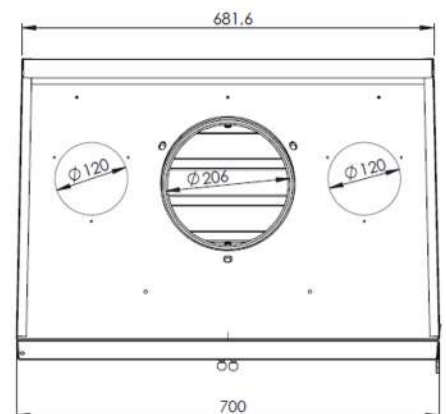
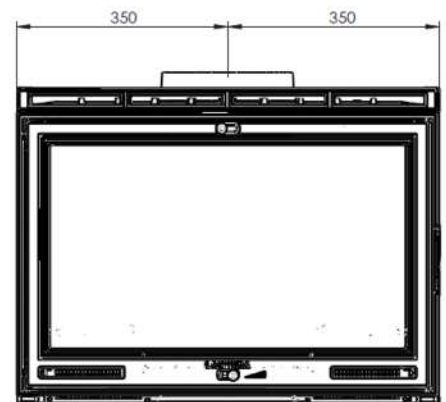
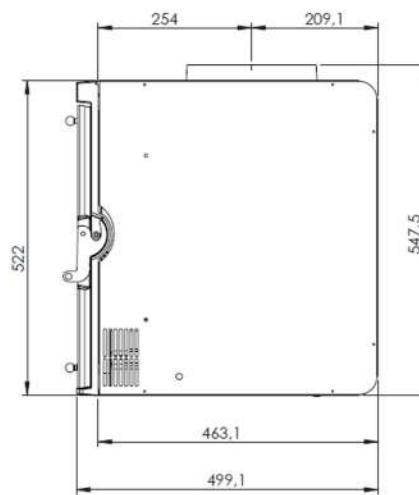
Natural comfort



ecoDESIGN Ready!

Efficiency	CO Emissions	NOx Emissions	OGC Emissions	Particles	Heat output range	Nominal HO	Flue socket	Weight	Firewood	Heating vol.	Heating area
75 %	0,10 %	97 mg	67 mg	31 mg	7,5-14,5 kW	11 kW	Ø 200 mm	135 kg	55 cm	244 m ³	98 m ²

- **Cast iron insert.**
- Extra Clean Glass system.
- Stainless steel baffle.
- Double control for combustion.
- Two axial fans of 75 m³/h each.
- Thermostat and switch with 2 speeds.
- *Option: Cooking grill.*



External **700 x 540 x 502 mm**
 Firebox **560 x 250 x 400 mm**
 Width x Height x Depth



OPTIONAL ACCESSORIES:



Cooking grill



FLAMME ROUGE