



3270NMN 20x10

Note de music
made of black
glass fibre

STOVES&FIREPLACES STOVES&FIREPLACES ST

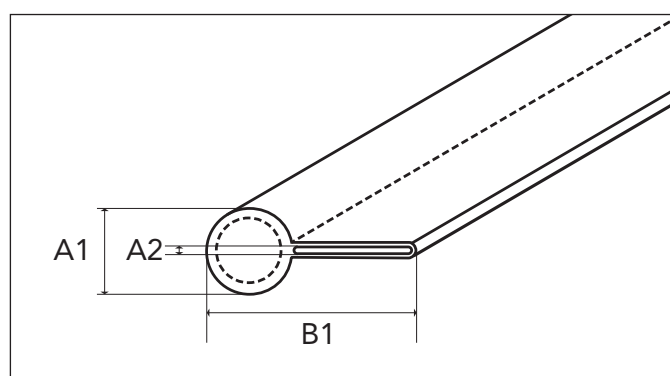
550°C

Descrizione

Glass fibre lip seal gasket resistant to high temperatures (550°C), extremely flexible and conformable. Depending on the application, the bulb may contain braids, strands or springs made of AISI 304 steel to provide an optimal elastic return. The lip is sewn using special glass fibre wires, it can be fixed to surfaces using screws or general metalwork. Furthermore, it can be filled, just like the bulb. An adhesive for facilitating its application can be provided upon request. Note de Music has good chemical and mechanical resistance qualities.

Applications

Seals on fireplace doors, stoves, pellet stoves, wood boilers and boilers.



- A1.** External diameter of lip 1
- A2.** Thickness
- B1.** Total width

Characteristics

Colour	Black
Maximum operating temperature	550°C

Spring Characteristics

Operating temperature	600°C
Maximum operating temperature for short periods	800°C

Standard sizes

cross-section mm	rolls m
20x10	50

Dimensions

A1	10 mm
A2	2 mm
B1	20 mm