

SAKAN 20



LACUNZA

Natural comfort



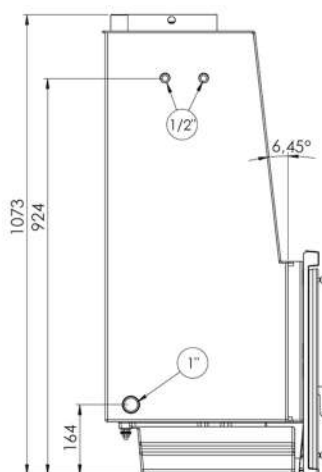
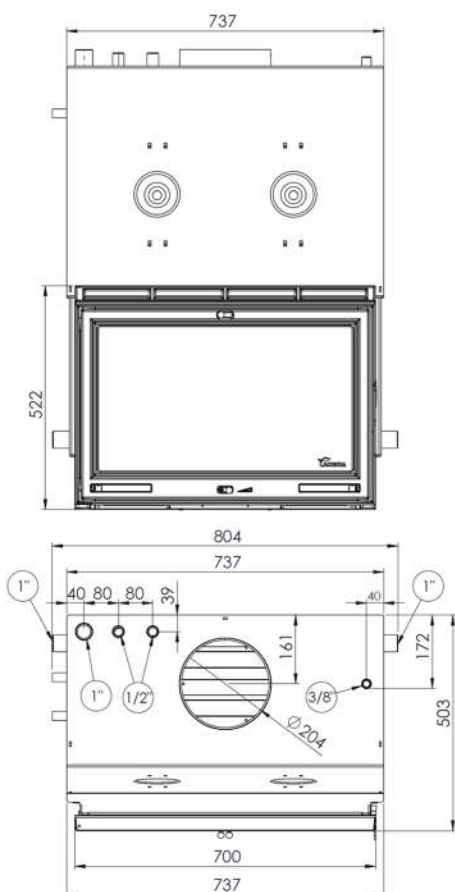
**ecoDESIGN Ready!**

Efficiency	CO Emissions	NOx Emissions	OGC Emissions	Particles
81 %	0,07 %	117 mg	55 mg	35 mg

Max. HO <b>26 kW</b>	Water HO <b>20,5 kW</b>	Nominal HO <b>21 kW</b>	Flue socket <b>Ø 200 mm</b>	Weight <b>220 kg</b>
Firewood <b>60 cm</b>	Heating vol. <b>578 m<sup>3</sup></b>	Heating area <b>231 m<sup>2</sup></b>		

Hors tout	<b>740 x 1075 x 510 mm</b>
Foyer	<b>660 x 330 x 460 mm</b>

Largeur x hauteur x profondeur



- Boiler fireplace of 70 cm width.
- 3 versions / powers available.
- Cast iron door and base.
- Steel back boiler of 5 mm.
- *Version:* Firebox with refractory cladding (Plus) + back boiler with external insulation.
- *Option:* Safety copper coil+ Thermal Discharge Valve.



FLAMME ROUGE