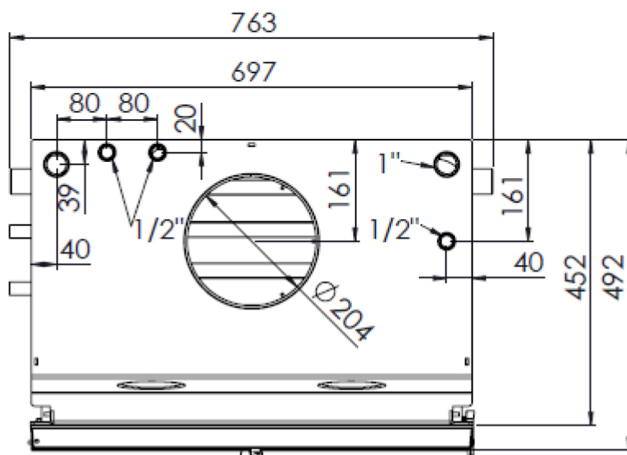
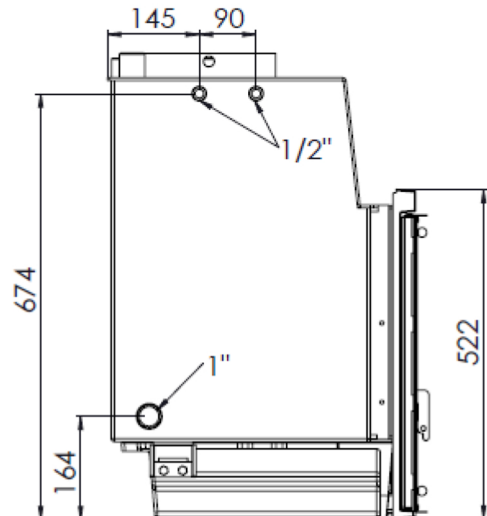
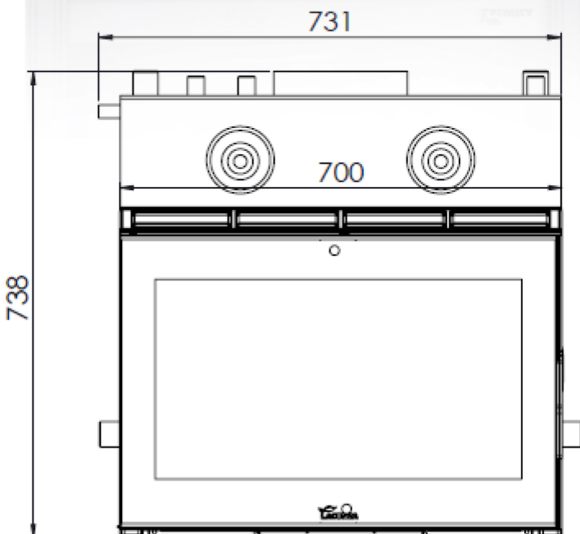


Sarria 12 Boiler



TECHNICAL CHARACTERISTICS

NOMINAL HEAT OUTPUT MÁX. 18 kW	EFFICIENCY 80%	 7★	 A+
NOMINAL HEAT OUTPUT CE 2,5 kW		EMISSIONS CO 0,07 %	
FLUE SOCKET (mm) Ø 200		BOILER TANK VOLUME 24 Litros	
WEIGHT (emptied) 182 kg		CIRCUIT MAX PRESURE 3 bar	
EXTERNAL DIMENSIONS WIDTH X HEIGHT X DEPTH (mm)		700 x 740 x 486	
FIREBOX DIMENSIONS WIDTH X HEIGHT X DEPTH (mm)		568 x 330 x 430	



FLAMME ROUGE