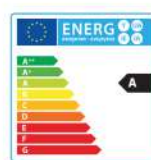


WOOD BOILER FIREPLACE

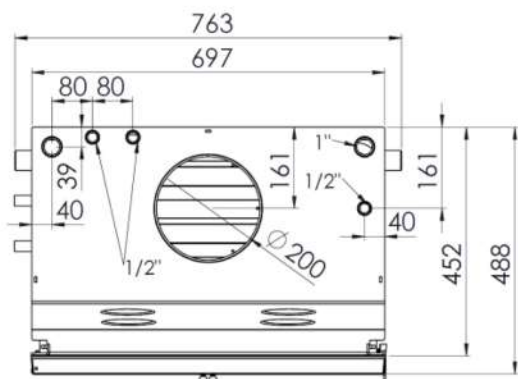
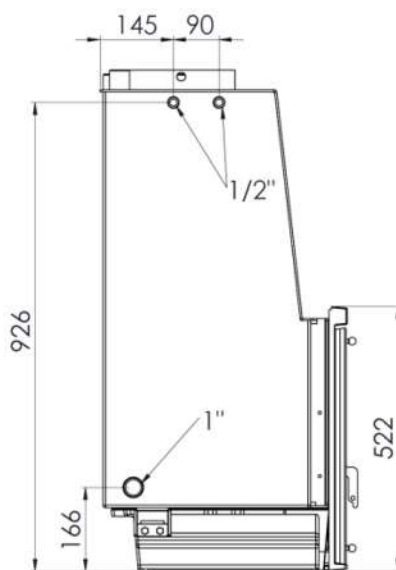
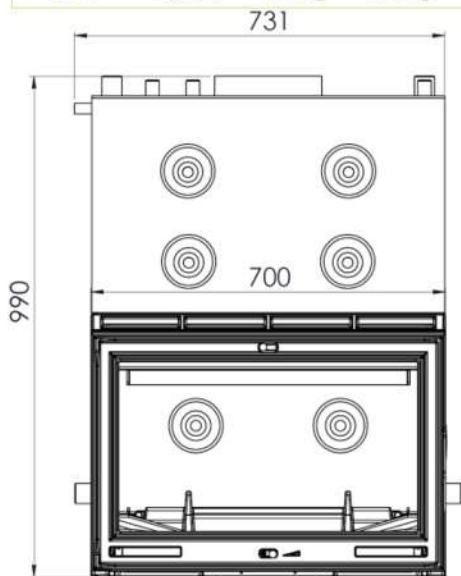
# Sarria 16



### ecoDESIGN Ready!

Efficiency	CO Emissions	NOx Emissions	OGC Emissions	Particles
80 %	0,08 %	122 mg	101 mg	25 mg

Max. HO	Water HO	Nominal HO	Flue socket	Weight	Firewood	Heating vol.	Heating area
24 kW	16 kW	19 kW	Ø 200 mm	215 kg	50 cm	422 m <sup>3</sup>	169 m <sup>2</sup>



External Firebox	Dimensions
External	700 x 990 x 486 mm
Firebox	568 x 330 x 430 mm
	Width x Height x Depth

- Boiler fireplace of 70 cm width.
- 3 versions / powers available.
- Cast iron door and base.
- Steel back boiler of 5 mm.
- Version: Firebox with refractory cladding (Plus) + back boiler with external insulation.



## FLAMME ROUGE