

Otazu



LACUNZA

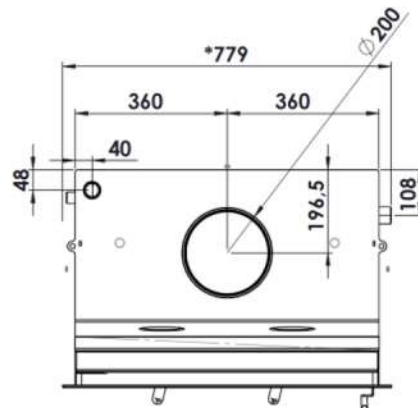
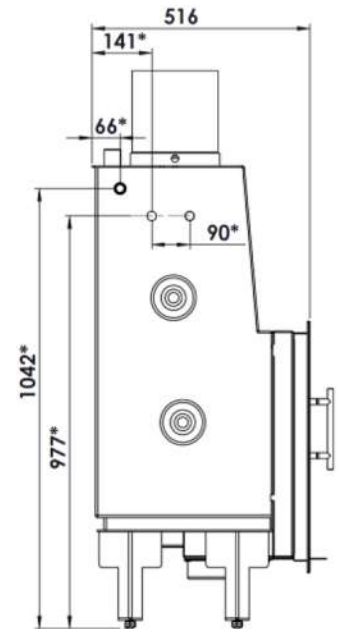
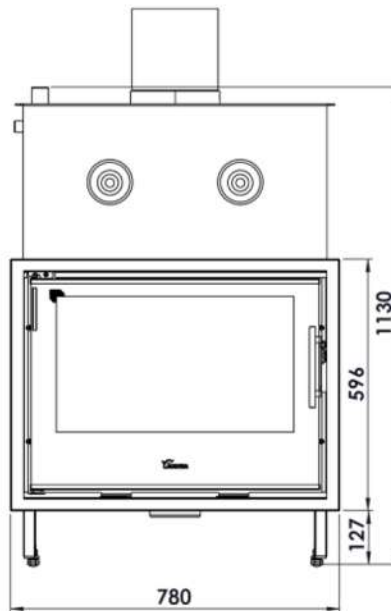
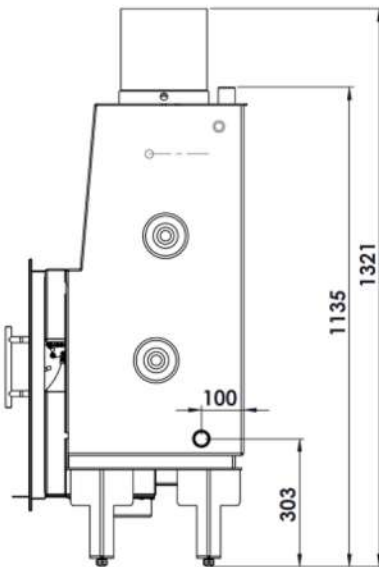
Natural comfort



ecoDESIGN In process

Efficiency	CO Emissions	NOx Emissions	OGC Emissions	Particles
75 %	0,12 %	200 mg	120 mg	40 mg

<p>Max. HO 27,5 kW</p>	<p>Water HO 14,5 kW</p>	<p>Nominal HO 22 kW</p>	<p>Flue socket Ø 200 mm</p>
<p>Weight 155 kg</p>	<p>Firewood 55 cm</p>	<p>Heating vol. 489 m³</p>	<p>Heating area 196 m²</p>



- Boiler fireplace of 80 cm width.
- Printed glass and frame.
- External air intake.
- Steel back boiler of 5 mm.



FLAMME ROUGE