

Inca 100



LACUNZA

Natural comfort

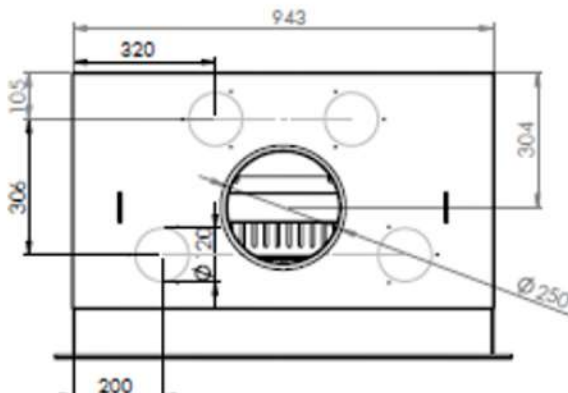
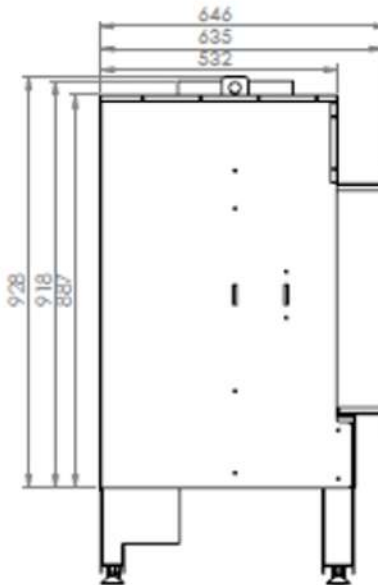
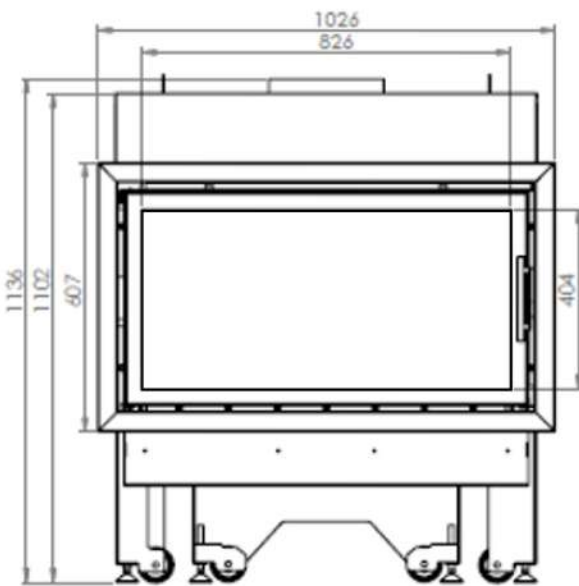


ecodesign Ready!

Efficiency	CO Emissions	NOx Emissions	OGC Emissions	Particles
80 %	0,07 %	150 mg	62 mg	28 mg

Heat output range 11,5-21,5 kW	Nominal HO 16,5 kW	Flue socket Ø 250 mm	Weight 220 kg
--	------------------------------	--------------------------------	-------------------------

Firewood 80 cm	Heating vol. 367 m³	Heating area 147 m²
--------------------------	--	--



- **Steel fireplace with opening side door.**
- Firebox in vermiculite or thermotte.
- Firebox base of cast iron.
- **Double Combustion system.**
- External air intake.



FLAMME ROUGE