

WOOD HYDRO FIREPLACE



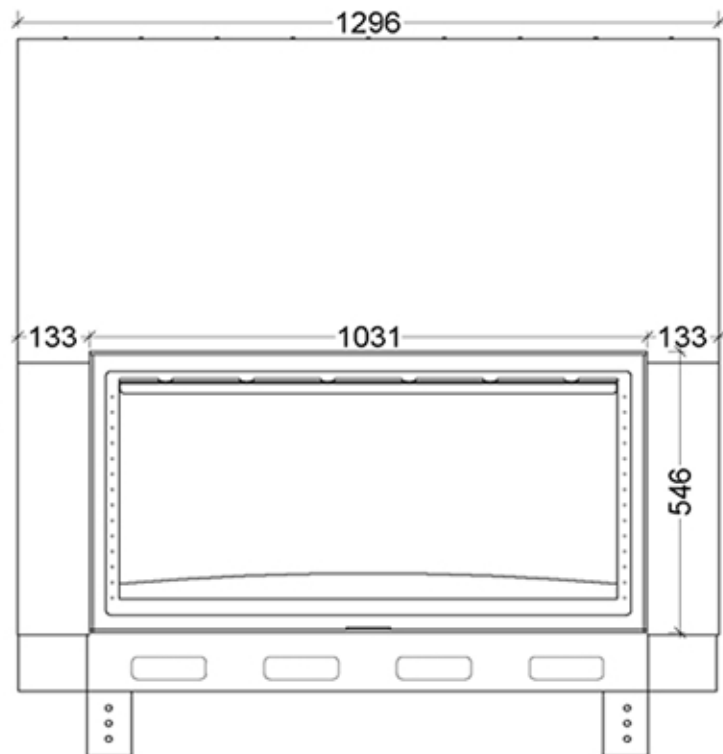
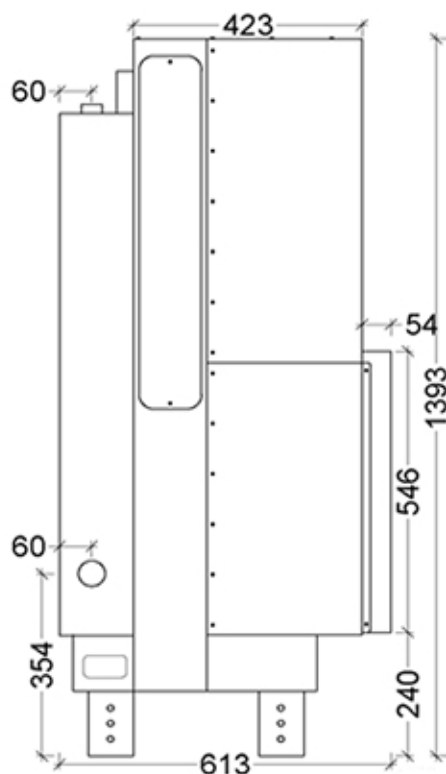
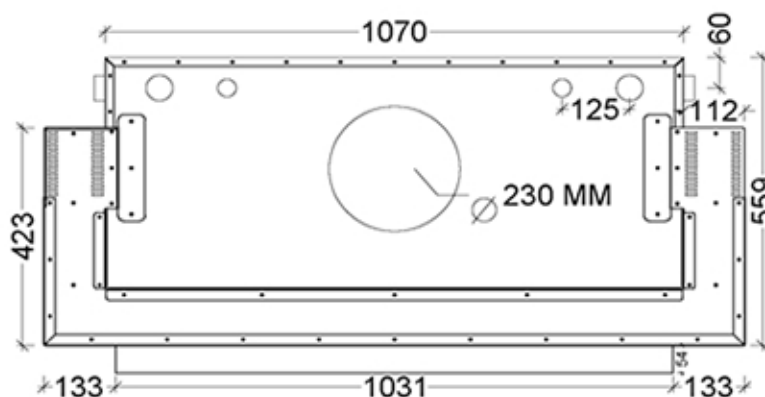
BRUNER 100 H



- WOOD BOILER FIREPLACE
- BOILER TANK VOLUME : 94 L
- THERMAL POWER : 46KW
- FIREBOX : VERMICULITE
- STEEL :6MM
- WEIGHT : 425KG

→ - SLIDING DOOR

→ **Dimensions**



FLAMME ROUGE

Halat-Highway- Tel:09.478985/6 - 03.880633 70.210222 70.250500

www.flammerouge-lb.com E: info@flammerouge-lb.com