




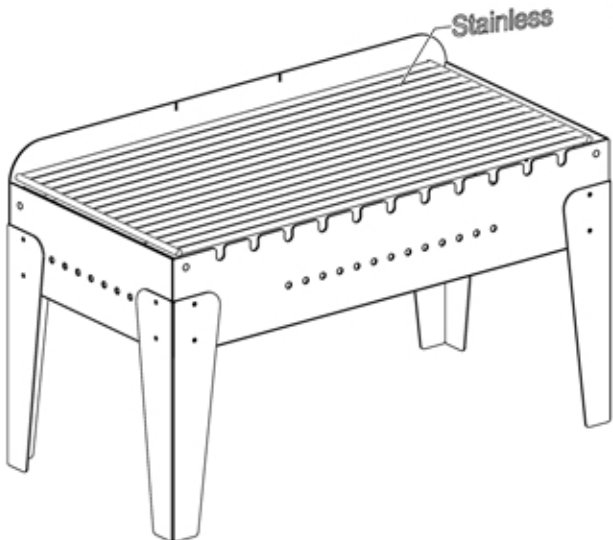
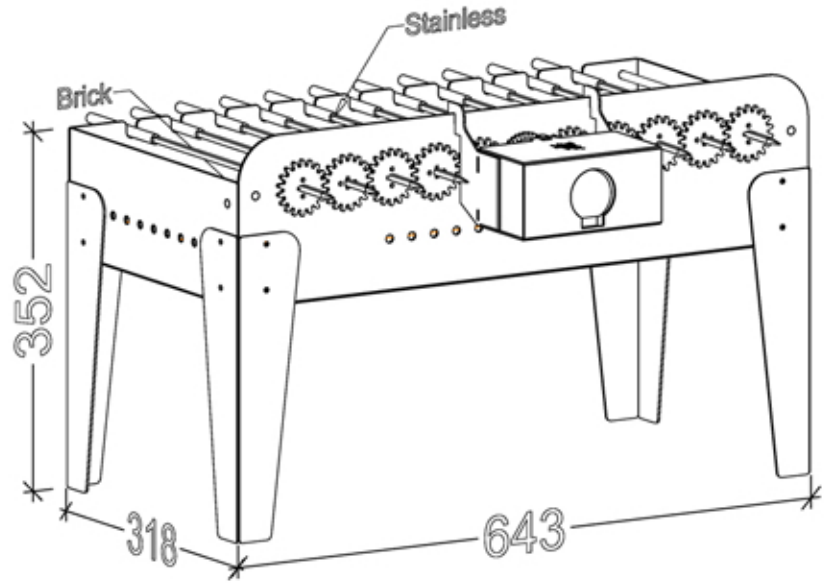
PORTABLE GRILL

ELECTRO GRIL



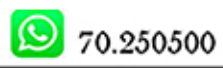
	CHARCOAL	✓
	STAINLESS GRILL	
	CARBON STEEL 2mm	
	30 kg	

STAINLESS 316 GRILL



FLAMME ROUGE

Halat Highway Tel: 09.478985 /6



www.flammerouge-lb.com E:info@flammerouge-lb.com