



Eco line

Crystal clear view on fire

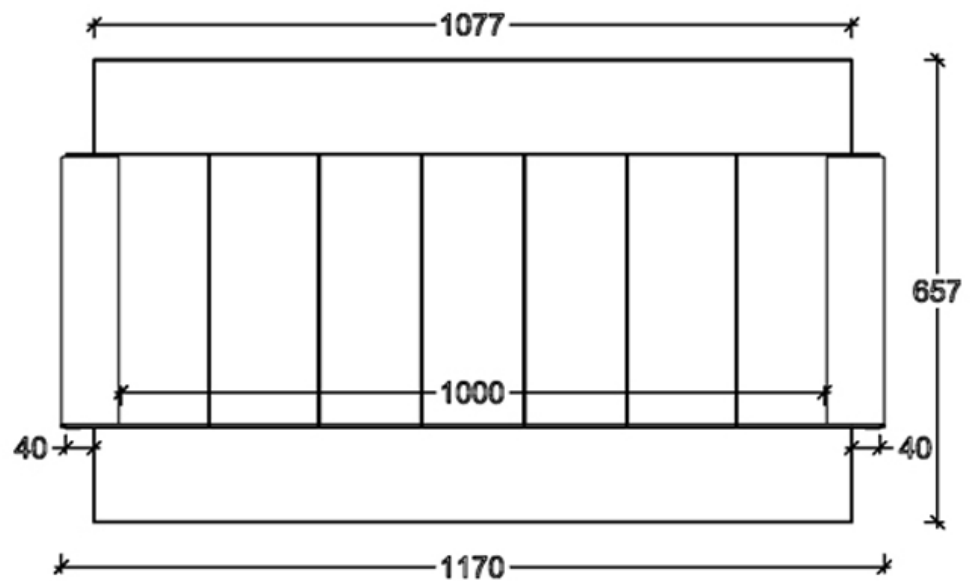
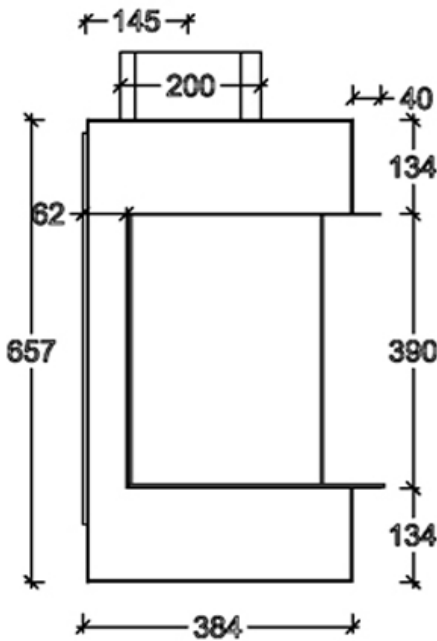
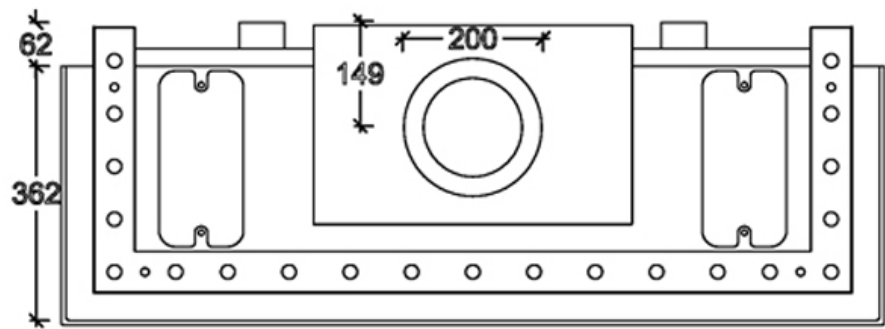


CE Certificate No: CE-9844
 Model Number -3V100
 burner included 92cm

Burner Specifications:

Nominal heat (Hi): 8.44 KW
 Fuel: Propane Gas
 Smoke Gas Exit -15/20 cm Ø
 Gas system : Maxitrol GV60
 Glass - Ceramic (**NEO CLEAR**)

→→ Dimensions



📍 Halat-Highway Tel:09.478985/6 - 03.880633 70.210222 📞 70.250500
 📍 Louizeh Baabda-Highway