



**Eco line**  
Crystal clear view on fire

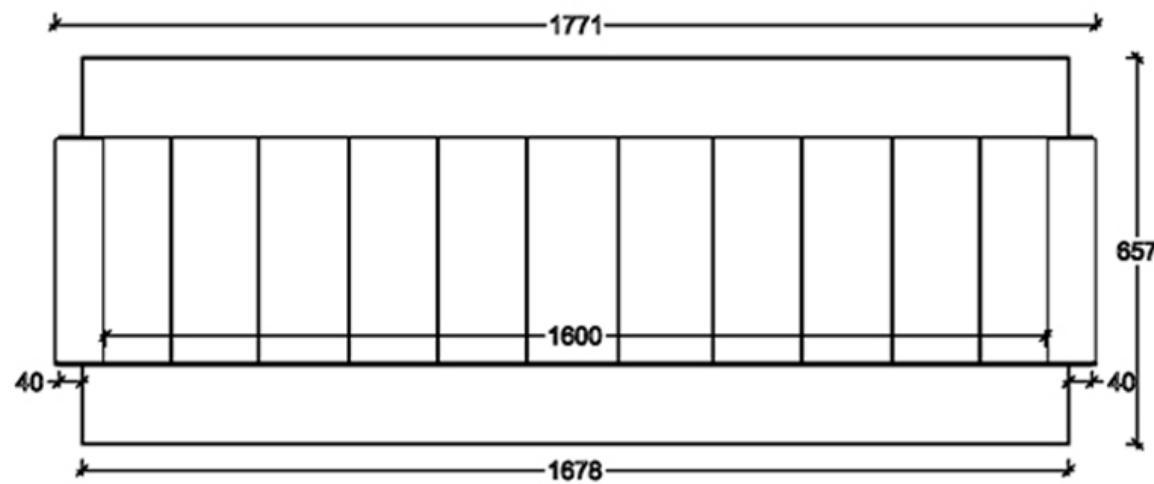
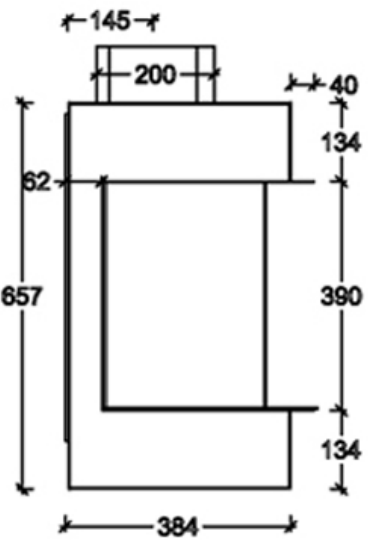
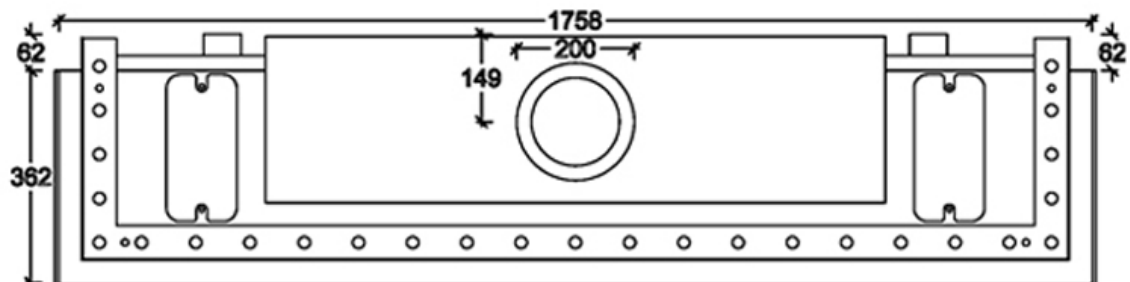


## Dimensions

CE Certificate No: CE-9844  
Model Number -3V160  
burner included 152cm

### Burner Specifications:

Nominal heat (Hi): 11.8 KW  
Fuel: Propane Gas  
Smoke Gas Exit -15/20 cm Ø  
Gas system : Maxitrol GV60  
Glass - Ceramic ( **NEO CLEAR** )



Halat-Highway Tel:09.478985/6 - 03.880633 70.210222 70.250500  
Loueizeh Baabda-Highway