



ÉCO line

Crystal clear view on fire



MAXITROL

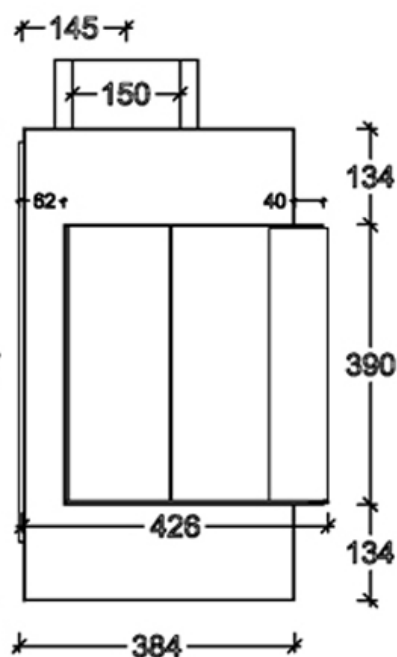
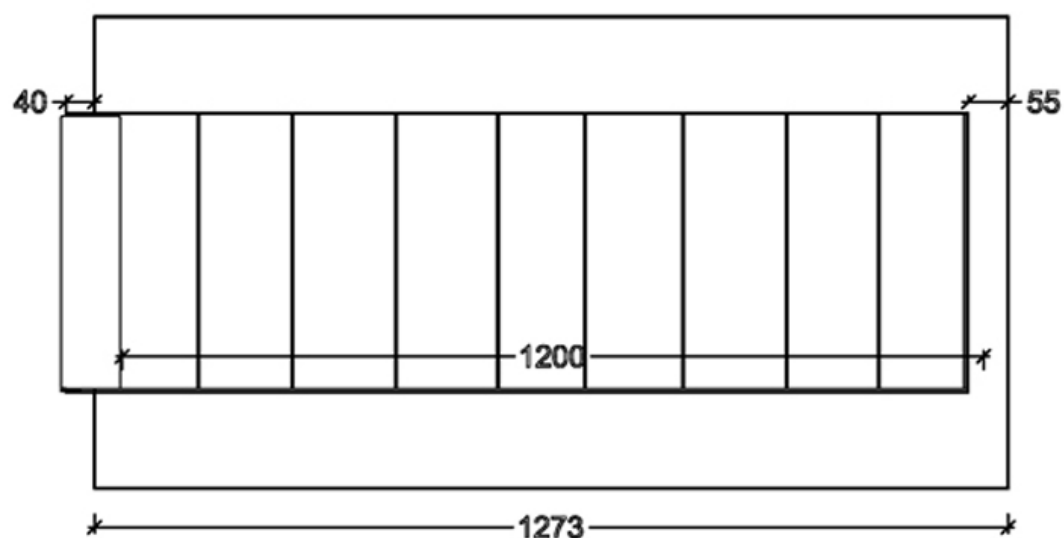
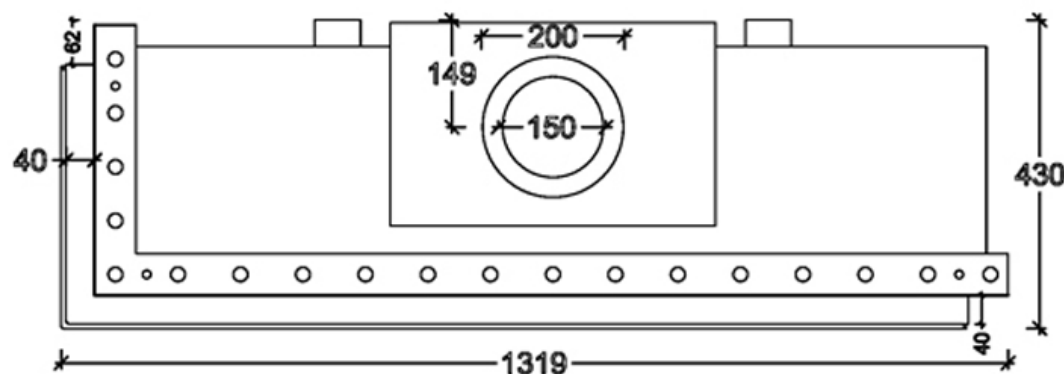


CE Certificate No: CE-9844
Model Number -LEFT120
burner included 112cm

Burner Specifications:

- Nominal heat (Hi): 9.6 KW
- Fuel: Propane Gas
- Smoke Gas Exit -15/20cm Ø
- Gas system : Maxitrol GV60
- Glass - Ceramic (**NEO CLEAR**)

Dimensions



Halat-Highway Tel:09.478985/6 - 03.880633 70.210222 70.250500
 Loueizeh Baabda-Highway