

FIRE PITS ECO



HEXA 60



wood



CHARCOAL

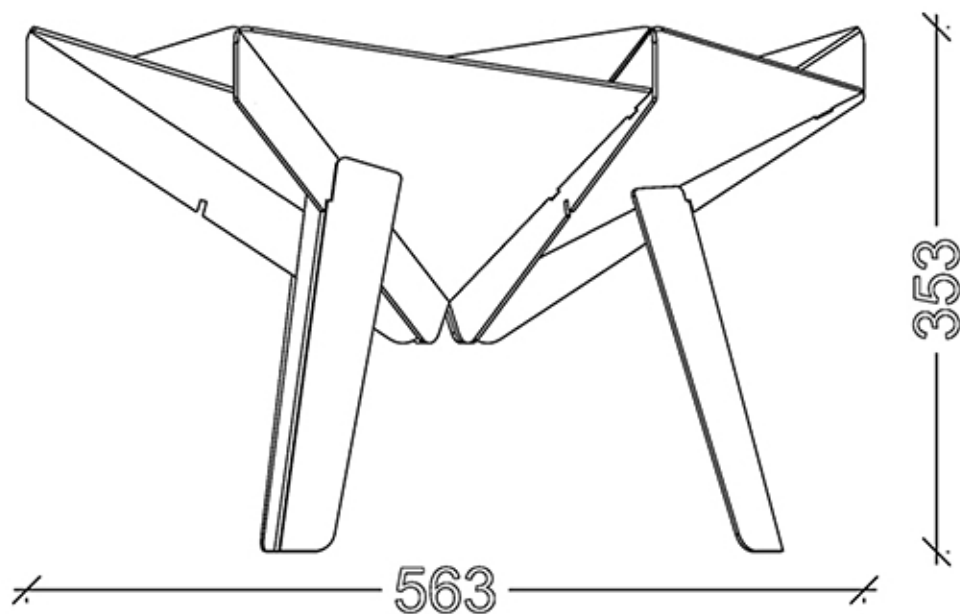


CARBON STEEL

3mm



5.5Kg



FLAMME ROUGE

Halat Highway Tel: 09.478985 /6



70.250500

www.flammerouge-lb.com E:info@flammerouge-lb.com