



Wood Fuel



Double Combustion

SPECIFICATIONS



Heat output
14 kW



Flue exit pipe
200 mm



Weight
165 kg



Heating area
120 m²



Double combustion system

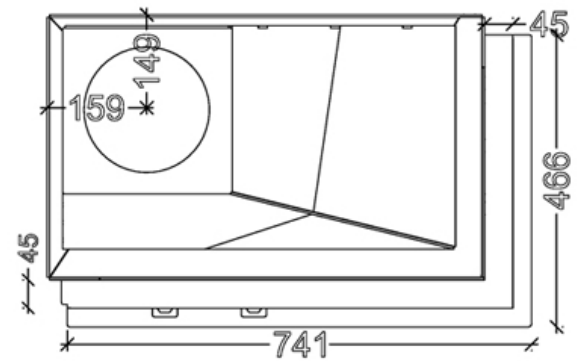
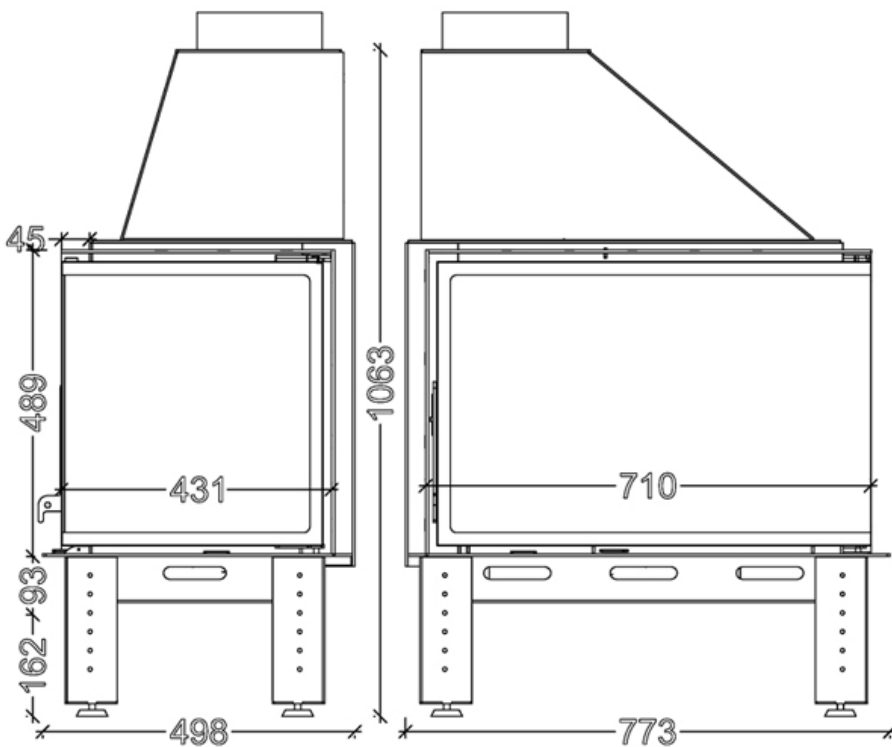


Door frameless
opened to side



Description
Right side

→ Dimensions



FLAMME ROUGE

Halat - Highway - Near Chamsine Bakery

www.flammerouge-lb.com E: info@flammerouge-lb.com